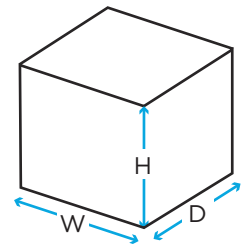


# IBC Hardcover

Technical Data

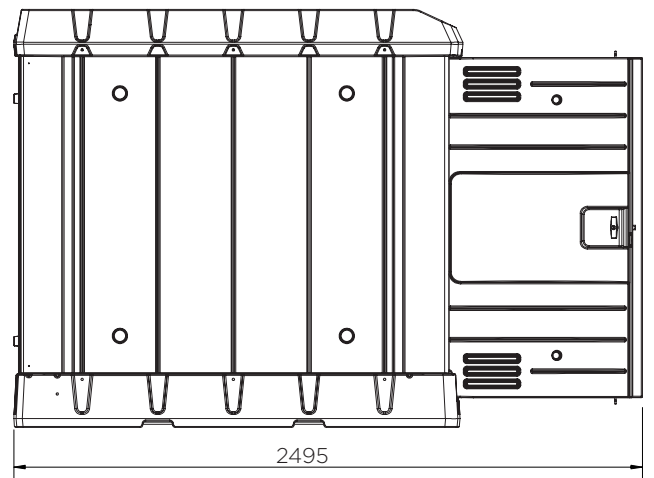
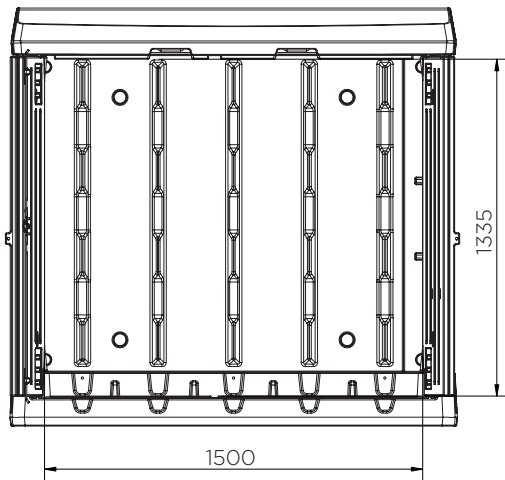
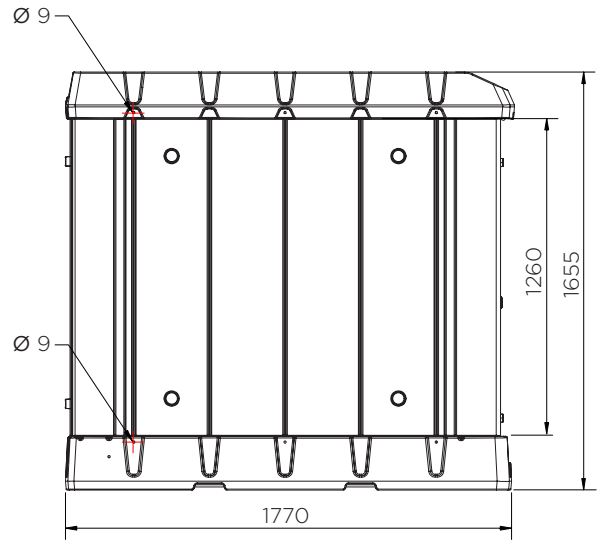
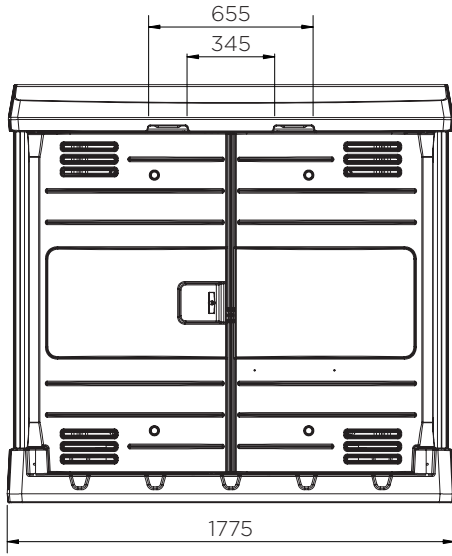


| Colour        | H x W x D (mm)     | Weight (kg) | Capacity (l) | Max. load (kg) | Spill Pallet | DIBt        |
|---------------|--------------------|-------------|--------------|----------------|--------------|-------------|
| HC1-YE-YE ●   | 2265 x 1775 x 1770 | 221         | 1260         | 2500           | SJ-510-001   | -           |
| HC1-BK-YE/D ● |                    |             | 1000*        | 2000           | SJ-510-002/D | Z-40.22-451 |

\*Measured to underside of platform

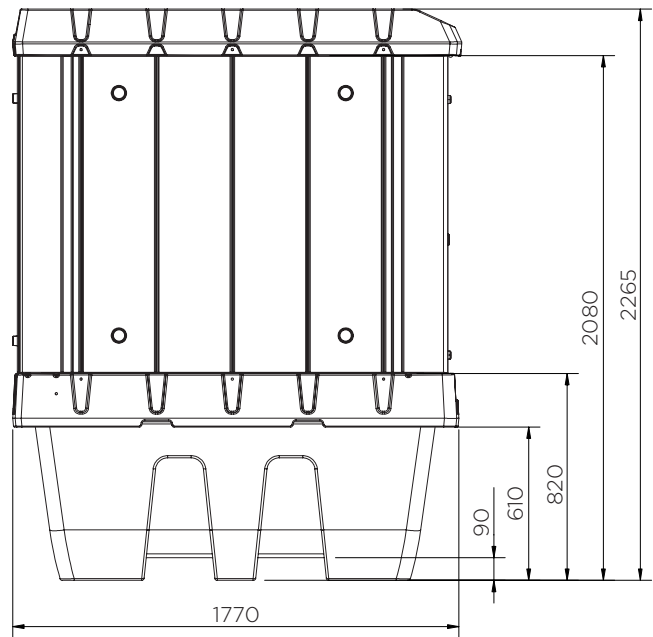
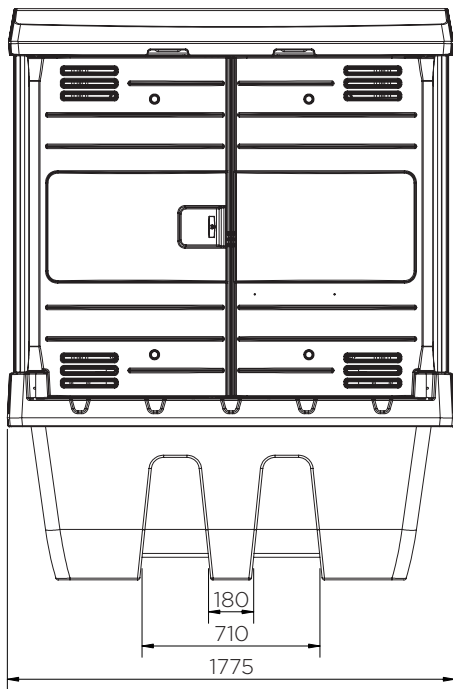
# IBC Hardcover

## Technical Data

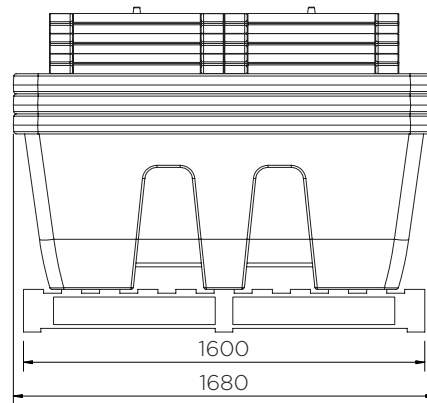
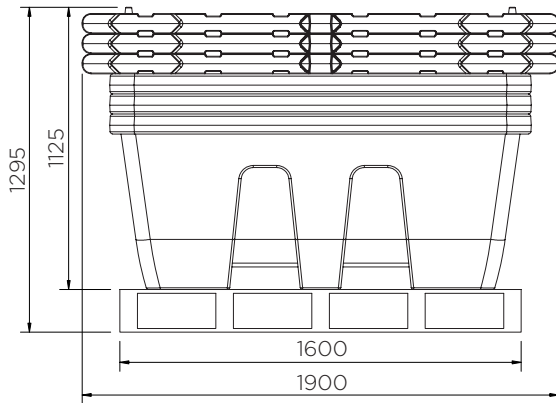
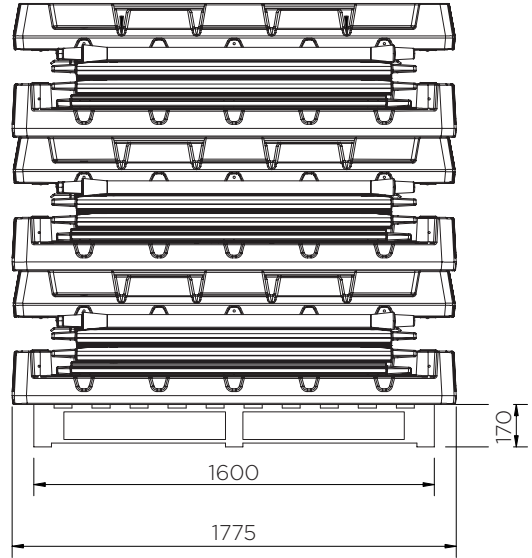
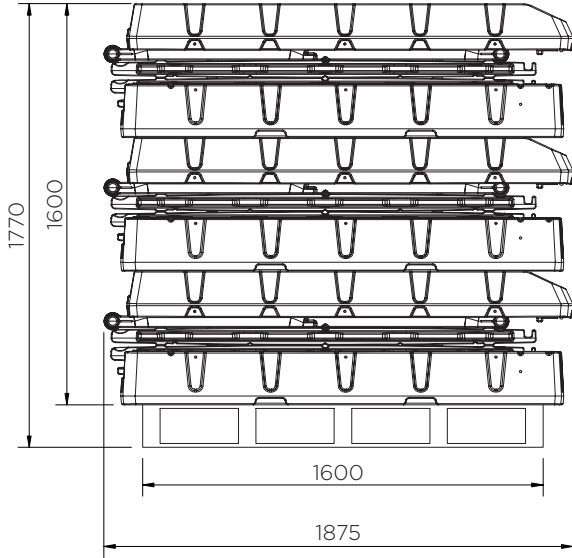


# IBC Hardcover

## Technical Data



The information is to our best knowledge true and accurate but all recommendations or suggestions are made without guarantee.



**HC1-YE-YE**

Pieces per pallet

3

The information is to our best knowledge true and accurate but all recommendations or suggestions are made without guarantee.